

10

Business days

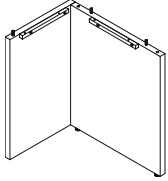


Standard Desk **Now**

Assembly instructions

Hardware listing

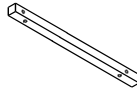
Corner gable



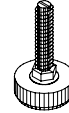
Wood dowel
Quantity Shipped: 3



Shoulder screw
Quantity Shipped: 2



12" Cleat
Quantity Shipped: 2

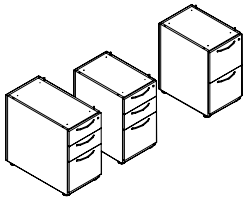


Leveling glide
Quantity Shipped: 3



1 1/2" Screw
Quantity Shipped: 8

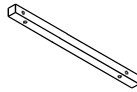
Pedestals



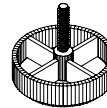
Wood dowel
Quantity Shipped: 2



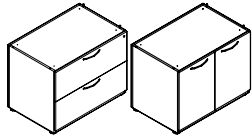
1 1/2" Screw
Quantity Shipped: 4
Use only to fasten pedestals to top.



25" Cleat
Quantity Shipped: 1

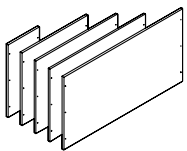


Leveling glide
Quantity Shipped: 4



1 1/4" Screw
Quantity Shipped: 4

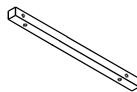
Back panels



Wood dowel
Quantity Shipped: 2



1 1/4" Screw
Quantity Shipped: 12



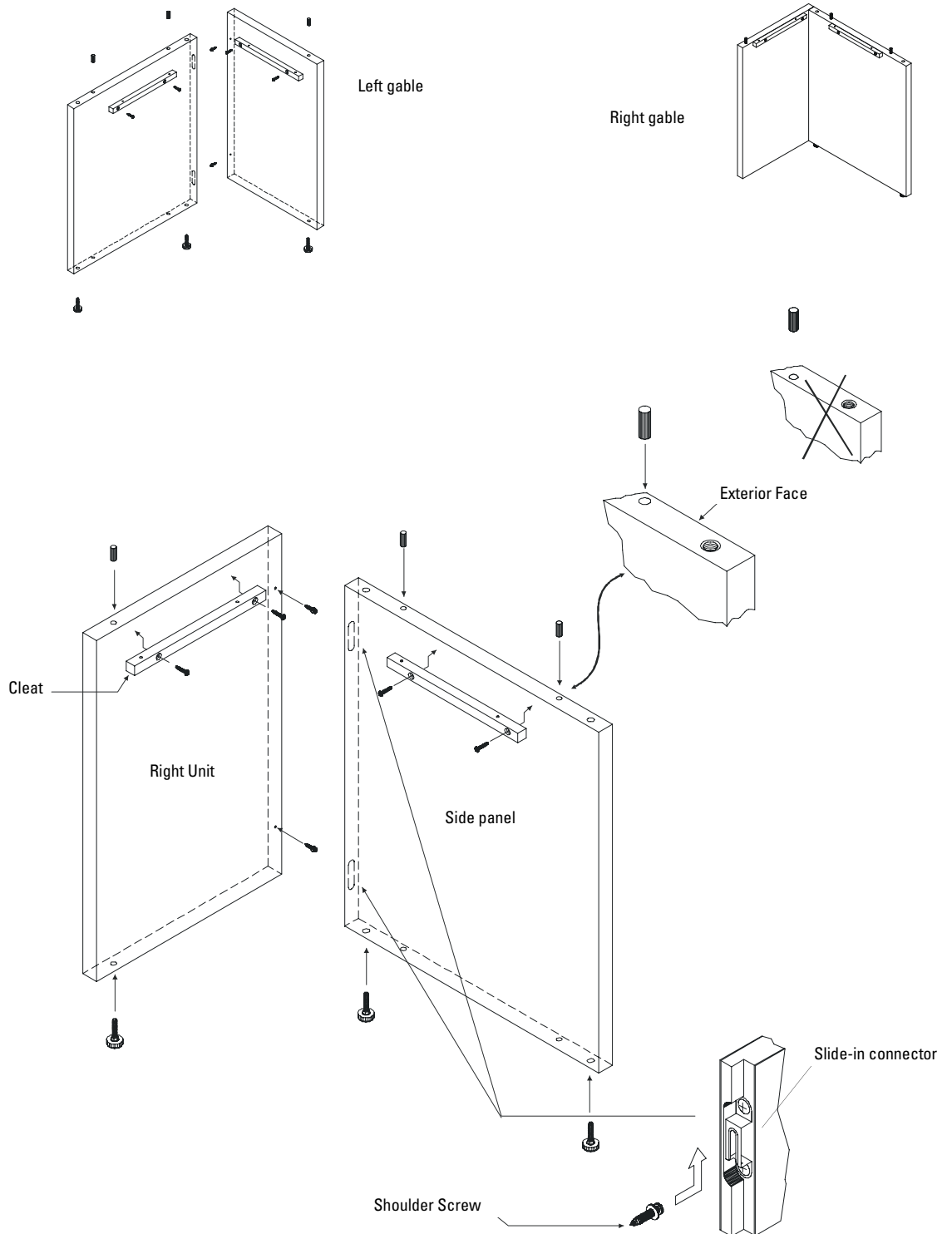
12" Cleat
Quantity Shipped: 1

Assembly instructions

Desk, credenza and return corner gable

1. Determine if you need a right or left Corner gable.
2. Place dowels and install levelling glides as illustrated. In order to avoid panels being flipped, make sure that the dowels are inserted in the holes closest to the exterior face of gable as illustrated.
3. Install cleats flush at top-middle of each panel.
4. Screw shoulder screws to gable panel opposite to slide-in connector. The shoulder screws will remain exposed to allow mechanism to be engaged. Assemble the panels.

If you experience difficulty engaging the mechanism, loosen the shoulder screw by 1/2 turn.

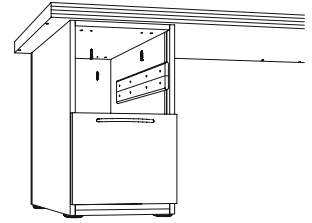


Standard Desk **Now**

Assembly instructions

Desk & Credenza

1. Install levelling glides on pedestals.
2. Place dowels on Pedestal, Back panel and Corner gable.
3. Position top over Pedestal and Corner gable (see Corner gable assembly instructions on previous page). Secure using 1 1/2" screws and cleats for corner gable and through top for pedestal attachment (Drawers must be removed as illustrated at far right).
4. Insert Back panel between Pedestal and Corner gable. Secure Back Panel to Top, Pedestal and Corner gable with 1 1/4" screws and cleats.

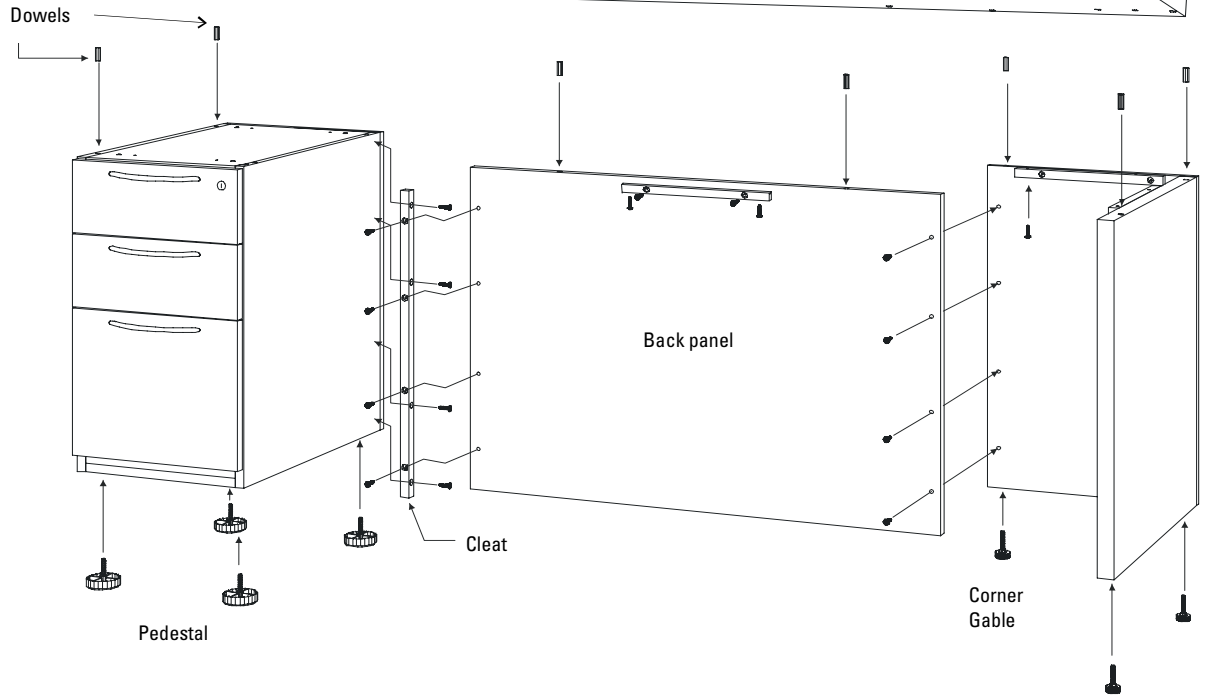
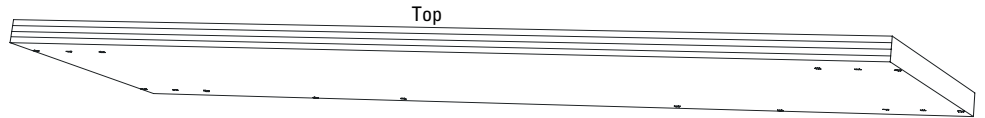
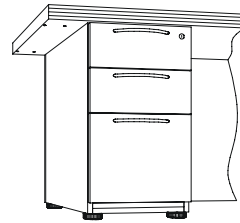
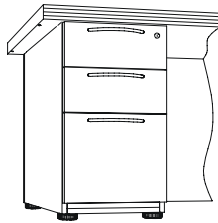
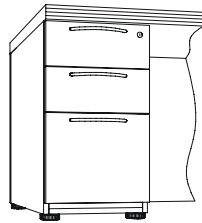


Desk pedestal positioning options

Flush

3" overhang

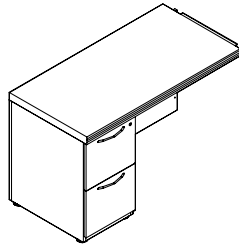
6" overhang



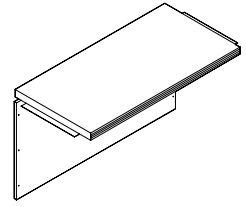
Assembly instructions

Return:

1. Install glides and place wood dowels on Pedestal, then position Top.
2. Screw Pedestal to Top using 1 1/2" screws (illustrated at page 4).
3. Place wood dowels on Back panel and position into Top.
4. Secure Back panel to Top and Pedestal using 1 1/4" screws and cleats.
5. Secure return to desk or credenza using flush plate for Top-to-Top attachment and screw Back Panel directly into desk or credenza side gable.



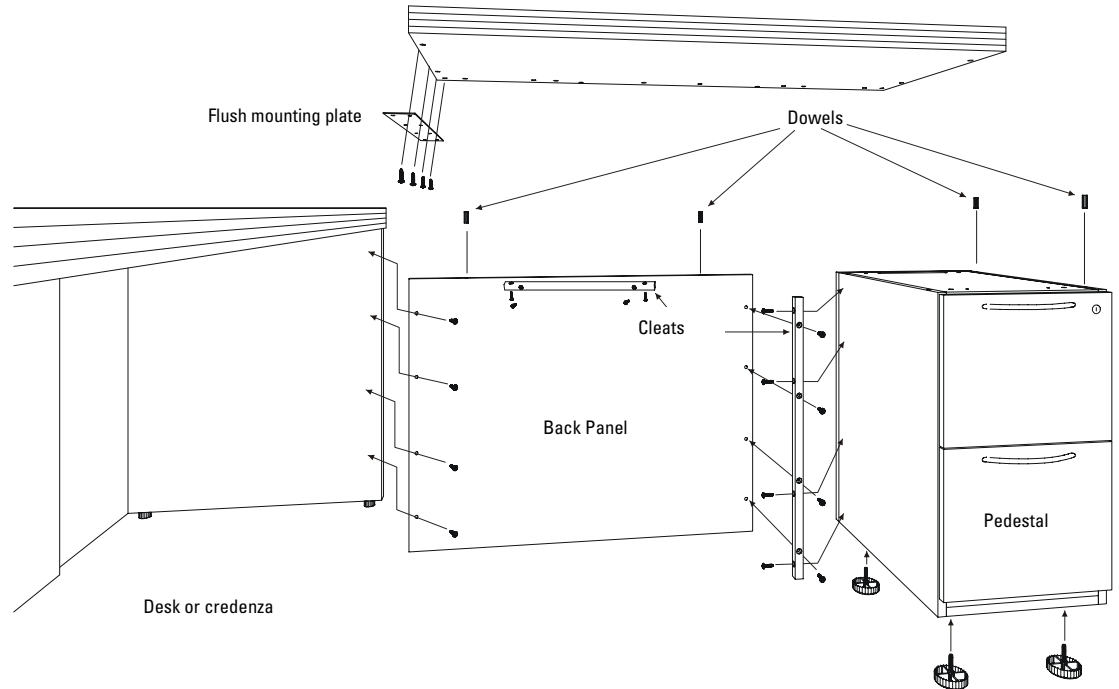
Return



Bridge

Bridge:

1. Secure Bridge to desk or credenza using one flush plate on each side (for Top-to-Top).
2. Place wood dowels on Back panel, place under bridge Top and secure Back panel using 1 1/4" screws and



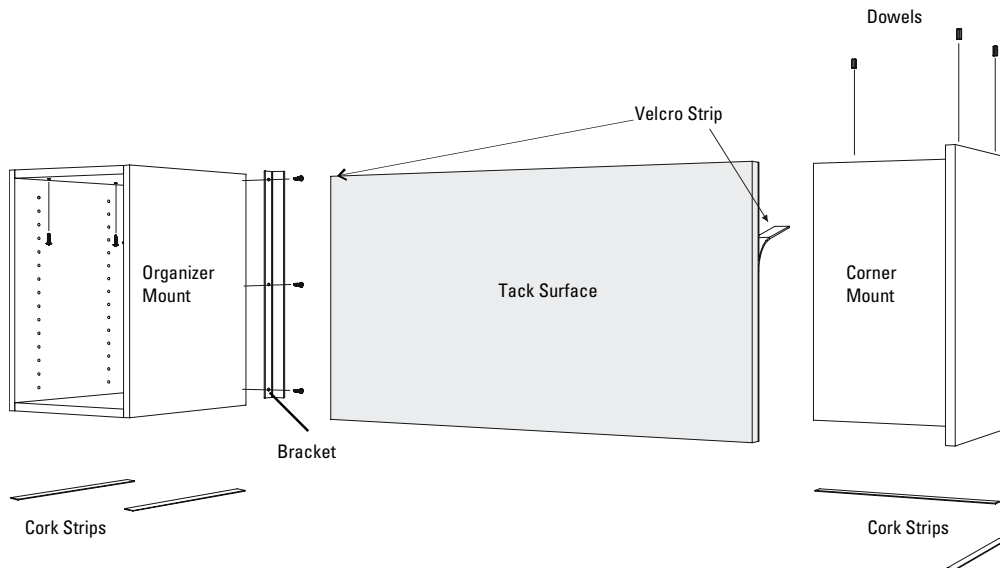
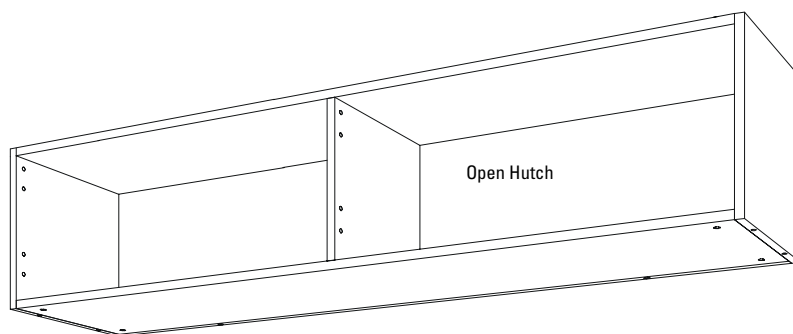
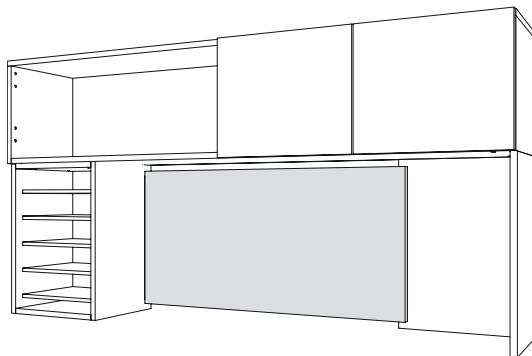
Standard Desk **Now**

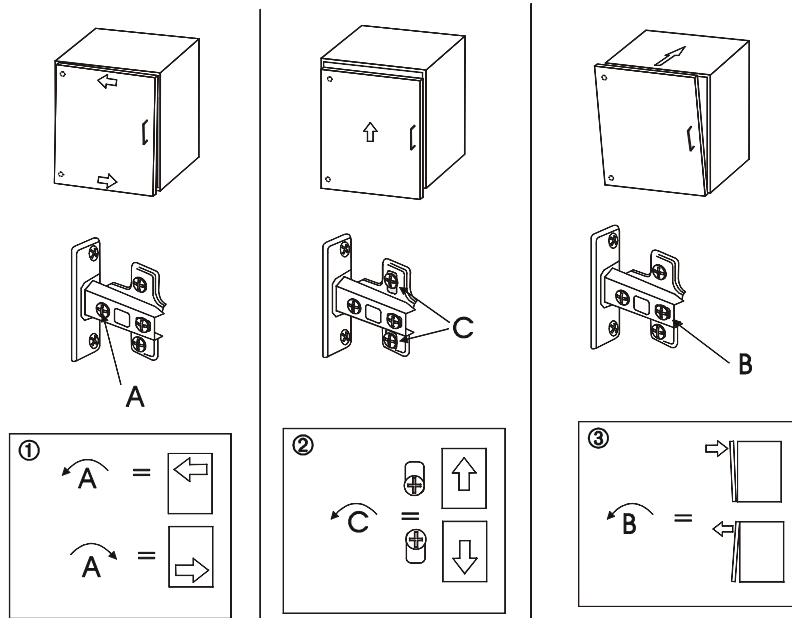
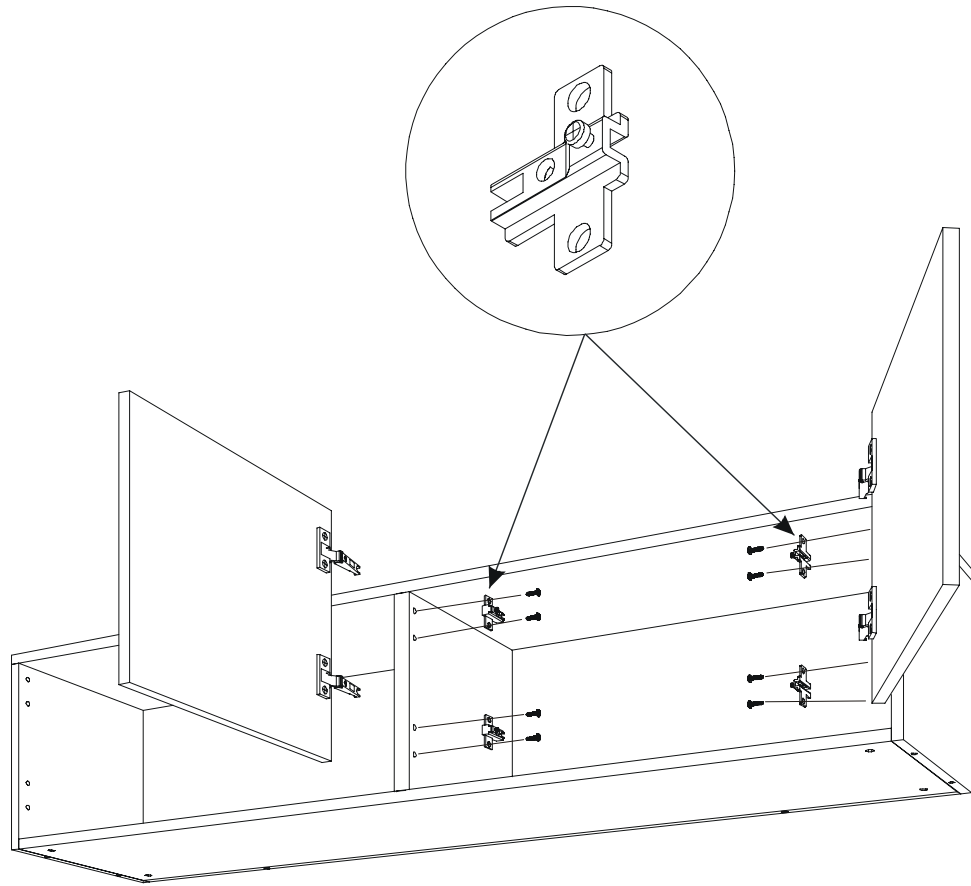
Assembly instructions

Hutch

Determine on which side you want to place Organizer and or Corner Mount.

1. Assemble Corner Mount and place cork strips on both Organizer and Corner Mounts. Hutch Corner Mounts are assembled like the Desk Corner Gable (see Page 3).
2. Place dowels on Corner Mount and position Corner and Organizer Mounts to receive Open Hutch.
3. Place Open Hutch.
4. Screw Organizer Mount to Open Hutch.
5. Screw Tack Surface Bracket to Organizer mount. Brackets are not necessary for installation to Corner Mount. Use them only for attachment to Organizer Mounts.
6. Remove protective paper from Velcro® strips and pressure fit Tack Surface to Bracket and Corner Mount.

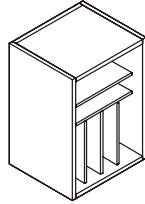




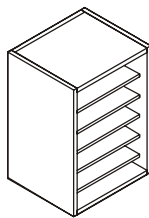
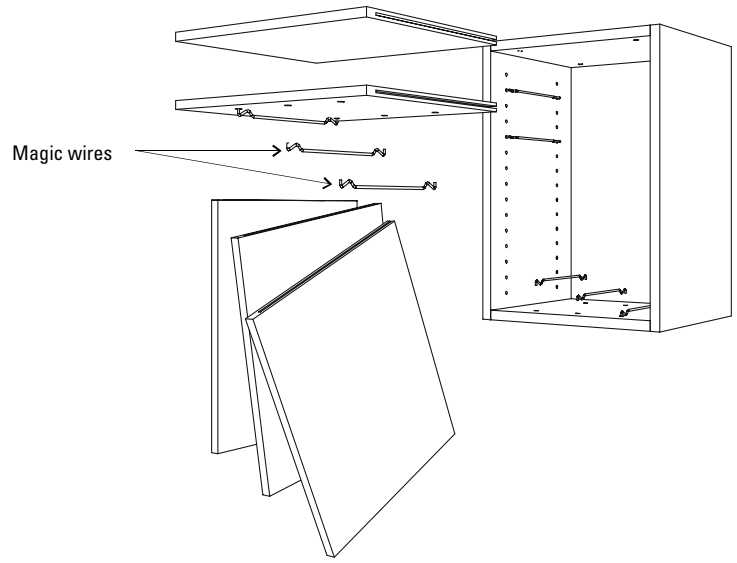
Above illustration demonstrates vertical and horizontal door adjustments.

Hutch organizer mount shelving

1. Each organizer mount allows you to either have vertical or horizontal shelf positioning.
2. Place magic wires in preset holes and slide black shelves as illustrated.



Vertical shelf positioning



Horizontal shelf positioning

